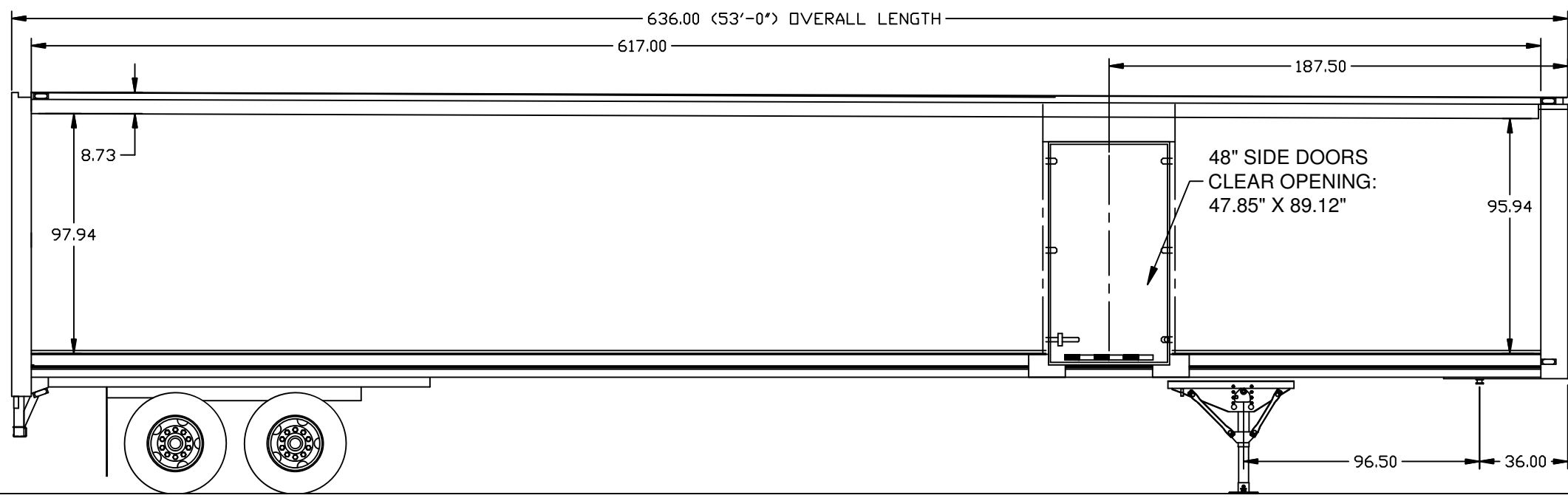
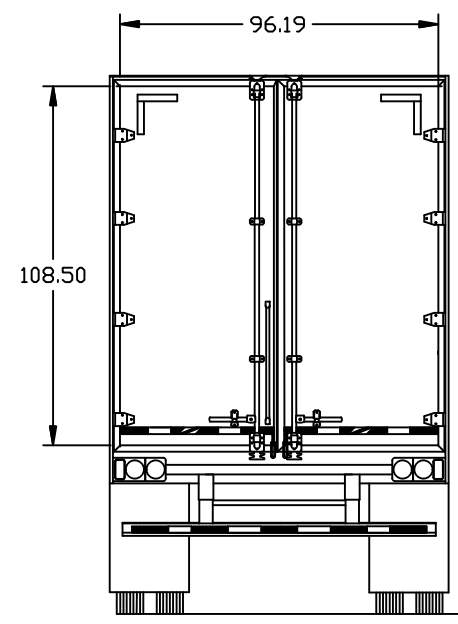



Roadside



Curbside

ORDER: 15150059
BOOKING 133458 REV 5

Front Inside HT.=108.12"
Rear Inside HT.=110.12"
Inside Width @Lining=99.40"
Inside Width @Scuff=99.40"
INSIDE LT.=630.65"
Door Opening: 98.36W x 109.28H"
SUSPENSION: HKANT 40K

<p>NOTICE</p> <p>THIS DOCUMENT CONTAINS PROPRIETARY TECHNICAL DATA WHICH IS THE CONFIDENTIAL PROPERTY OF GREAT DANE. ABSENT THE EXPRESS WRITTEN PERMISSION OF GREAT DANE USE OR DISCLOSURE OF THIS DOCUMENT IS FORBIDDEN.</p>		 <p>Great Dane Trailers A Division of Great Dane Limited Partnership Multi-Products Division Engineering</p>														
<p>ALL DIMENSIONS IN INCHES</p> <table border="1"> <tr> <th>TOLERANCES</th> <th>2 PLACE</th> <th>3 PLACE</th> </tr> <tr> <td>0 TO 6 INCHES</td> <td>±.02</td> <td>±.005</td> </tr> <tr> <td>6 TO 24 INCHES</td> <td>±.03</td> <td>±.010</td> </tr> <tr> <td>OVER 24 INCHES</td> <td>±.06</td> <td>±.015</td> </tr> <tr> <td>ANGLES</td> <td colspan="2">±1/2"</td> </tr> </table>			TOLERANCES	2 PLACE	3 PLACE	0 TO 6 INCHES	±.02	±.005	6 TO 24 INCHES	±.03	±.010	OVER 24 INCHES	±.06	±.015	ANGLES	±1/2"
TOLERANCES	2 PLACE	3 PLACE														
0 TO 6 INCHES	±.02	±.005														
6 TO 24 INCHES	±.03	±.010														
OVER 24 INCHES	±.06	±.015														
ANGLES	±1/2"															
<p>DWN: 06/02/14 MP</p>		<p>Stage Call Corp LINE DRAWING</p>														
<p>REF. DWG:</p>		<p>197-B1224</p>														
<p>CN</p>		<p>REV: .</p>														
<p>SCALE: X.XX WEIGHT: XXX.XX PG 01 OF 01</p>																